

# ULTRASHRINK™ 2818 DIP TANK

Our UltraShrink 2818 stainless steel shrink tank is designed to provide high quality contoured retail packaging for meat, poultry, cheese, and other perishable food products.

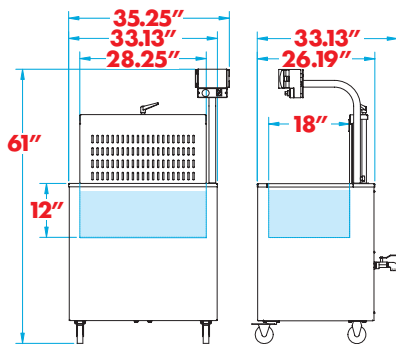
The UltraShrink 2818 eliminates dog ears and excessive wrinkles around food products that have been vacuum packaged in shrink bags. Built in the USA, it comes with our standard two year warranty.

## Standard Features

- Stainless steel
- Electric heat
- Programmable temperature control/sensor
- Simple push button cycle operation
- On/off indicator light
- Easy access for cleaning and maintenance
- High performance insulation to avoid heat loss
- Thermal insulation balls
- Easy fill and drain tank
- Low energy consumption
- Made in the USA
- ETL/Approved to UL and CSA Standards
- Two year warranty

## Power Requirements

Voltage	Required Service
208, 60Hz, 3-phase	50 Amps
240, 60Hz, 3-phase	50 Amps
460, 60Hz, 3-phase	30 Amps
380, 50Hz, 3-phase	30 Amps
575, 60Hz, 3-phase	20 Amps



## Contact us at:

UltraSource LLC  
1414 West 29th Street  
Kansas City, MO 64108-3604 USA

**800-777-5624**

P: 816-753-2150

F: 816-753-4976

info@UltraSourceUSA.com

UltraSourceUSA.com

## Technical Specifications

Outside Dimensions	61" H x 35.25" L x 33.13" W (1550mm x 895mm x 842mm)
Cycle Time	2 seconds / optional variable speed (0-10 or 2 to 100)
Immersion Platform Size	28.25" L x 18" W (718mm x 457mm)
Immersion Depth	10" (254mm)
Tank Volume	Approx. 30 gallons
Maximum Load Capacity	50 lbs. (22.7kg)
Net Weight (empty)	320 lbs. (145kg)




**UltraSource®**