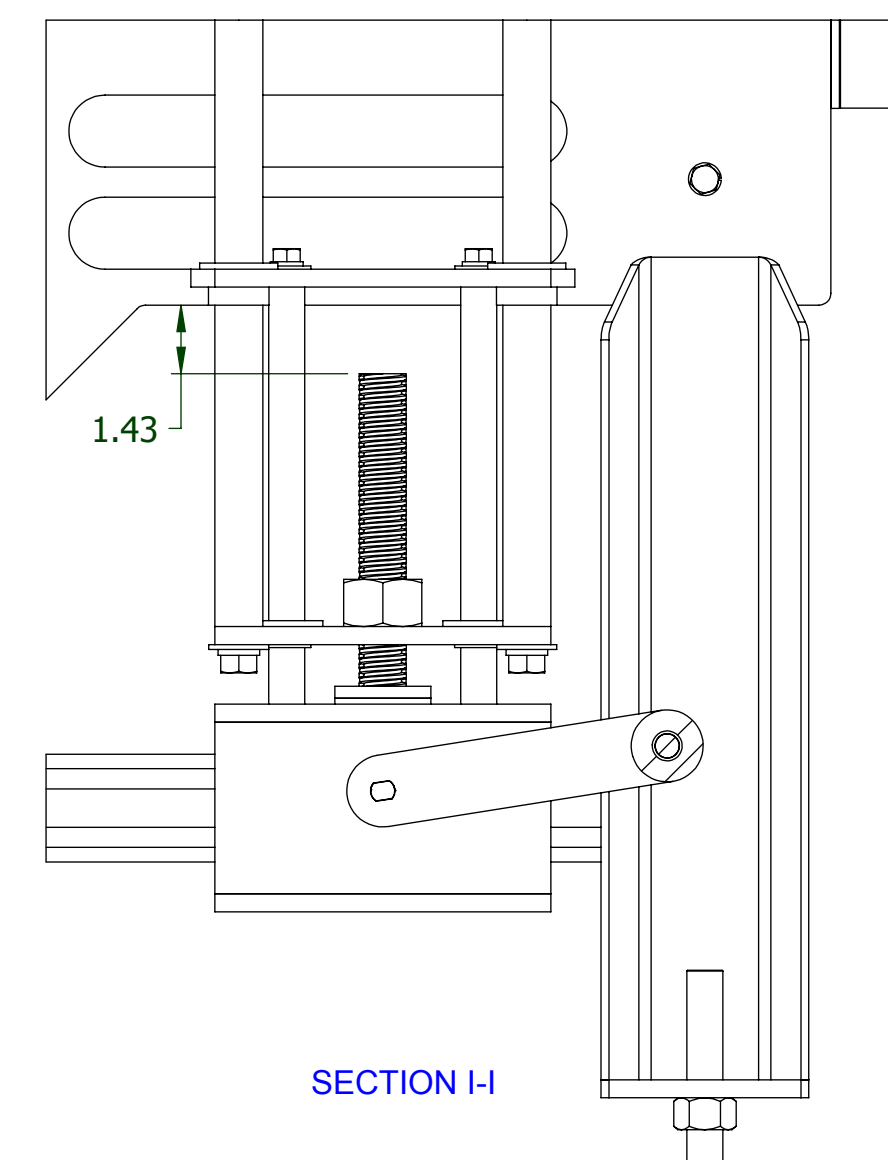
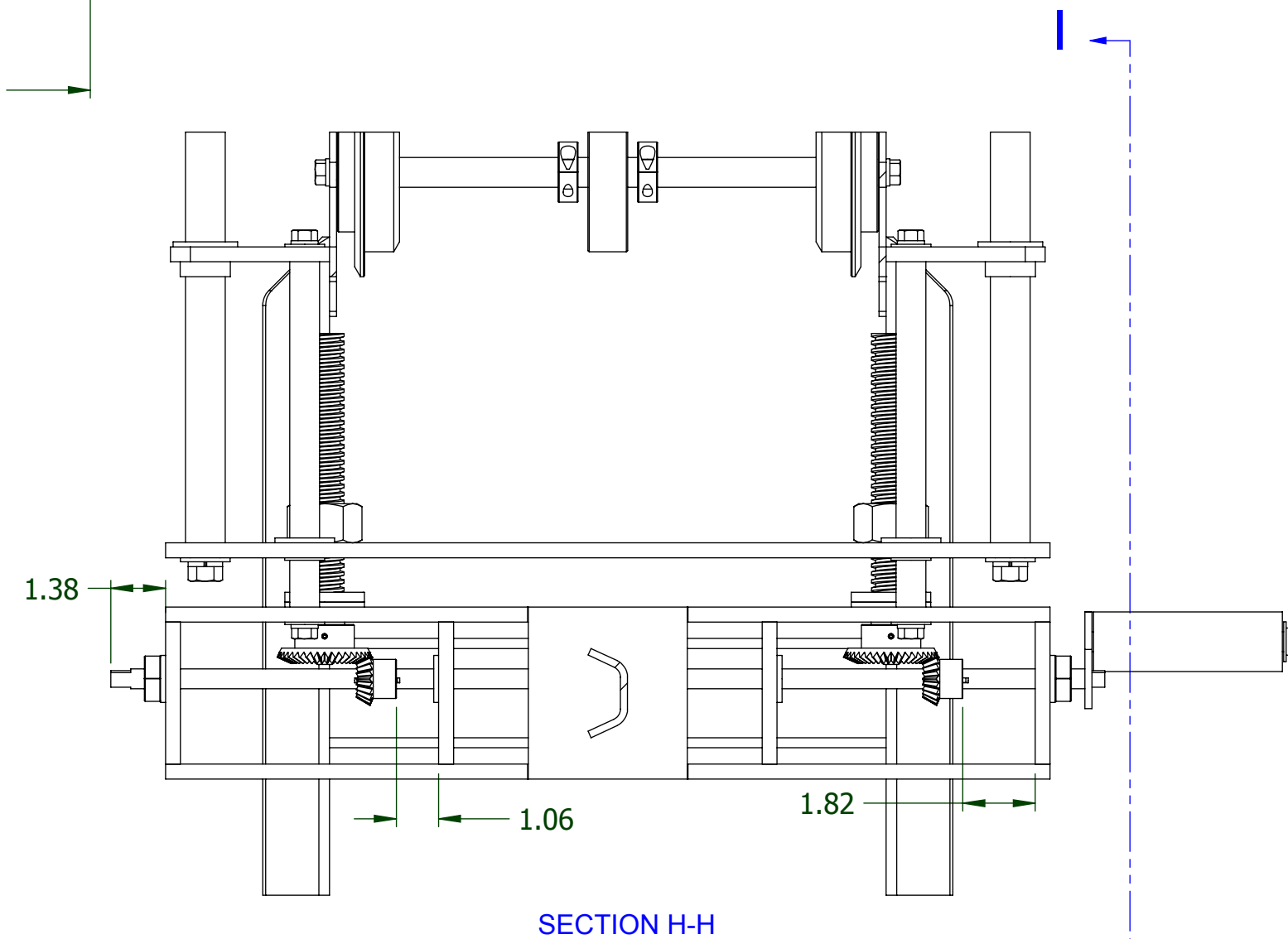
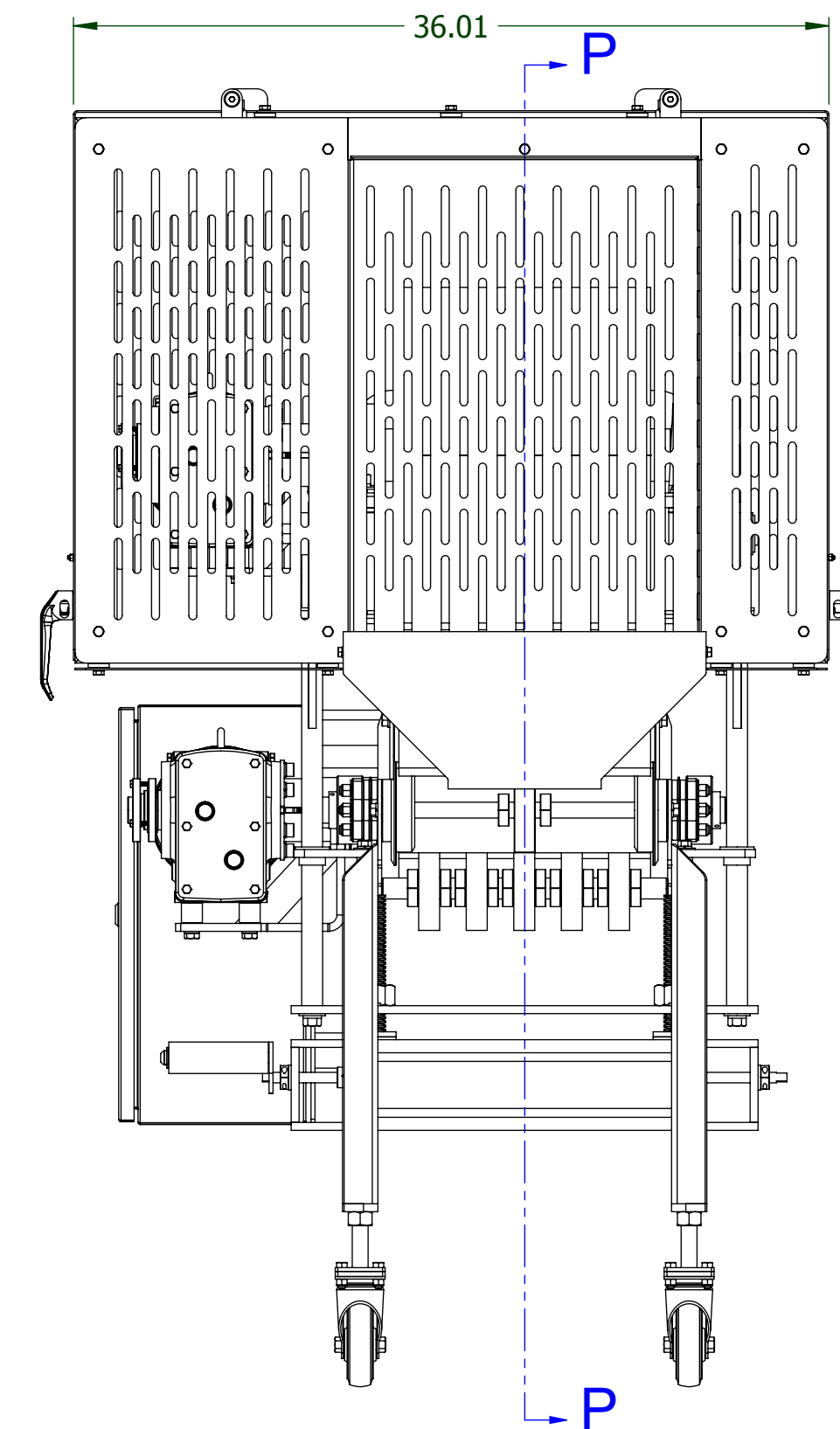
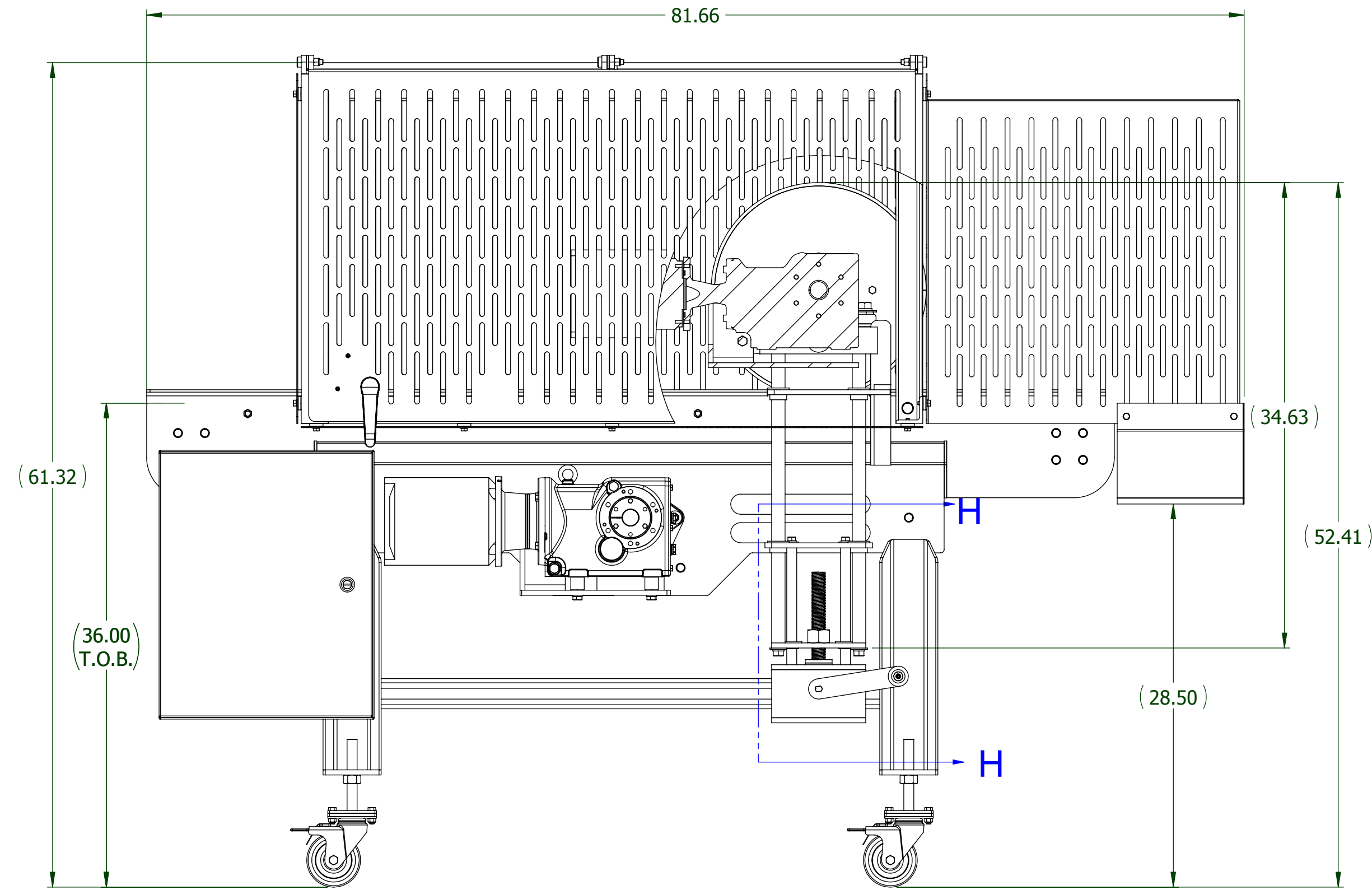
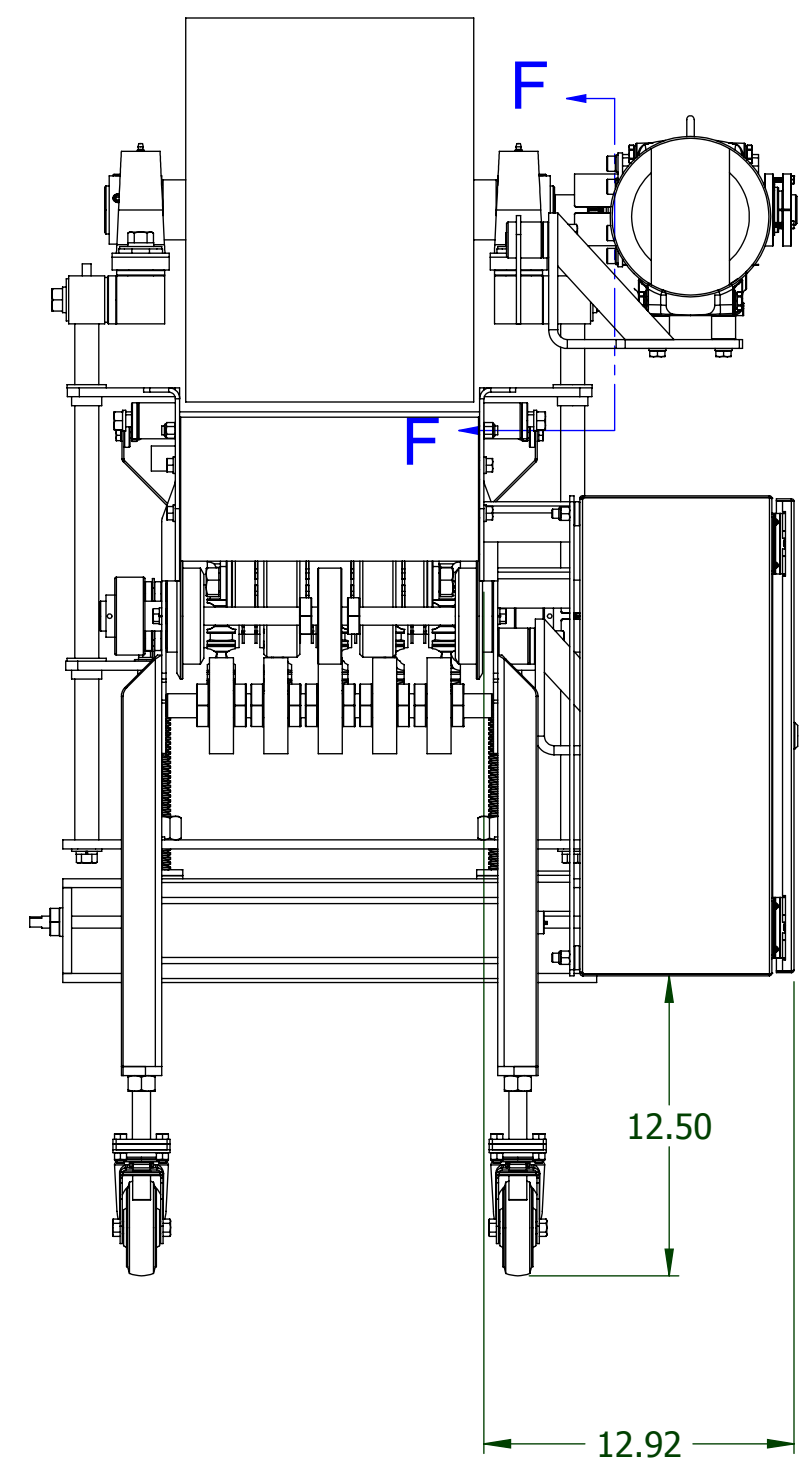
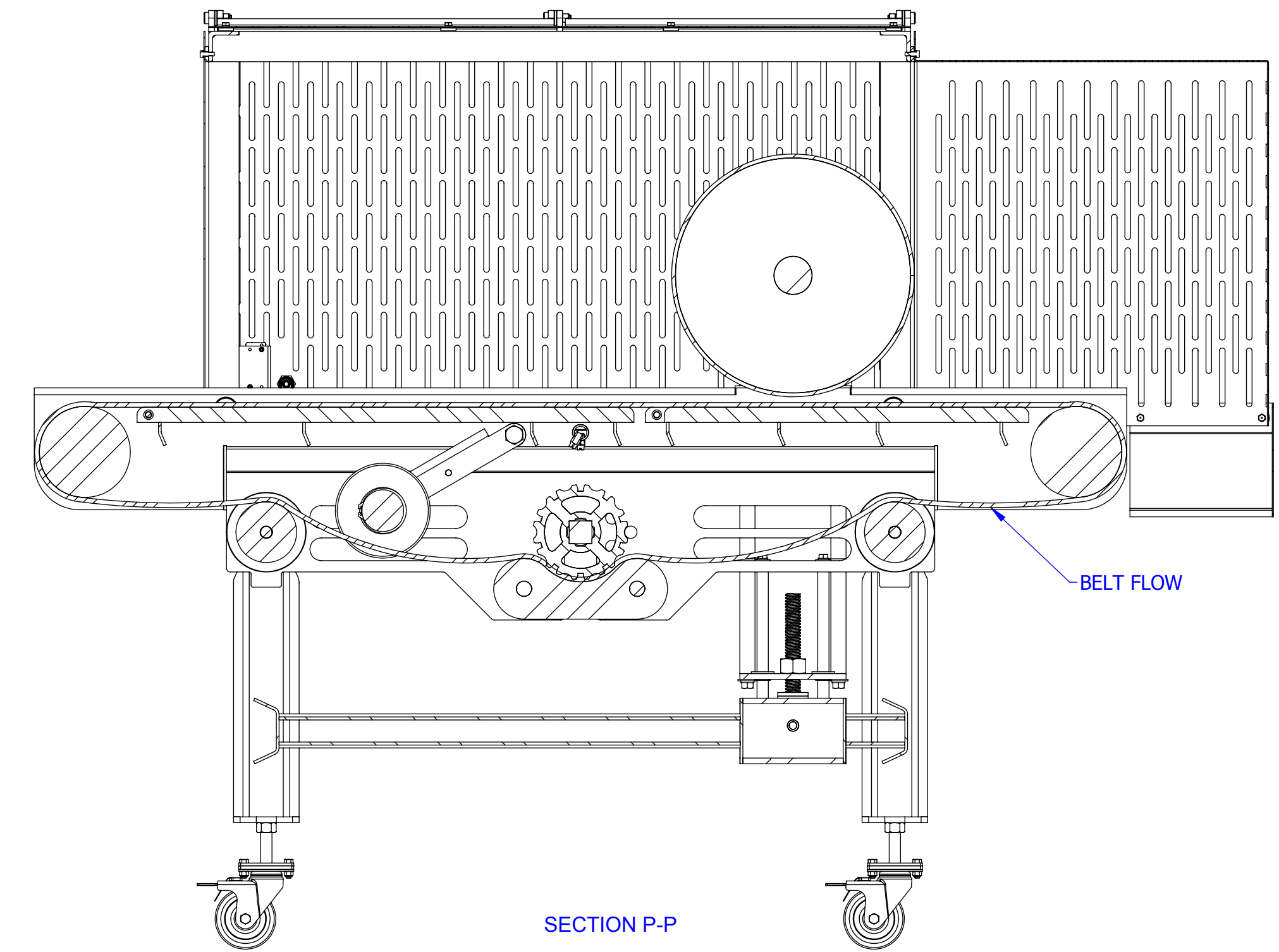
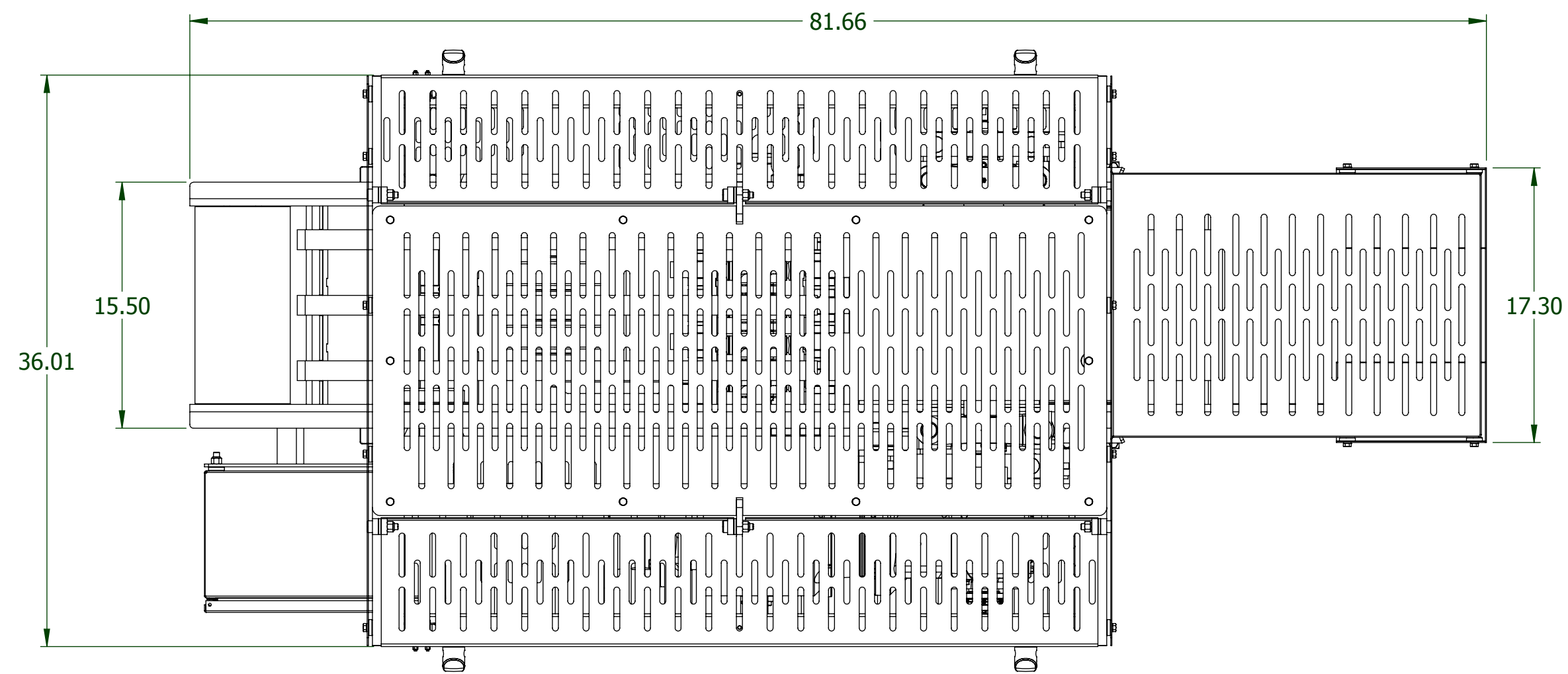
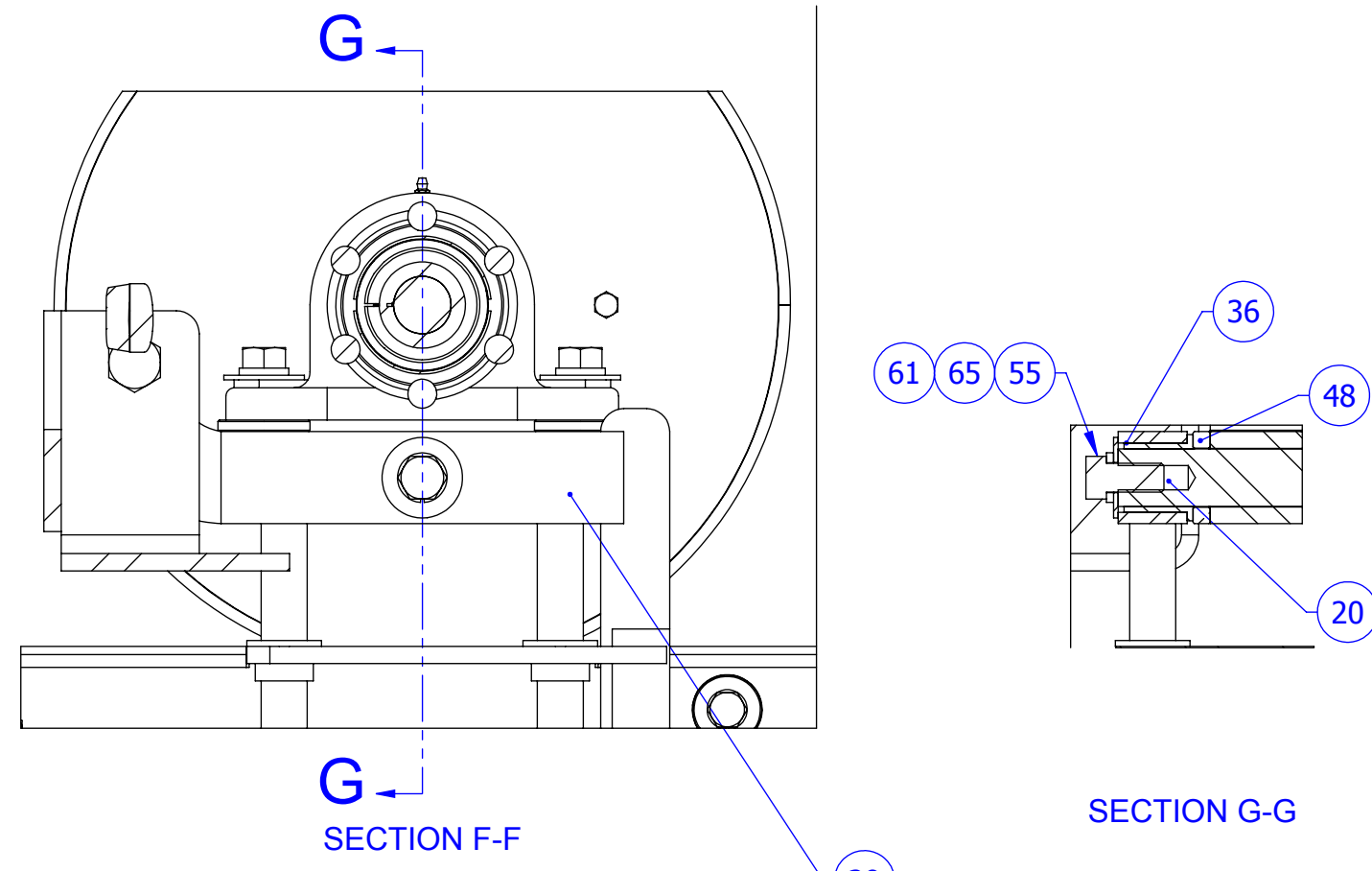


A-15671



NOTES:

- UNLESS OTHERWISE SPECIFIED DEBUR AND BREAK ALL SHARP CORNERS.
- UNLESS OTHERWISE SPECIFIED ETCH ALL LIP BENDS.
- UNLESS OTHERWISE SPECIFIED CONTINUOUS WELDS ON ALL SEAMS.
- ALL WELDS TO BE SMOOTH & FREE OF CRACKS AND PITS.

CONFIDENTIAL

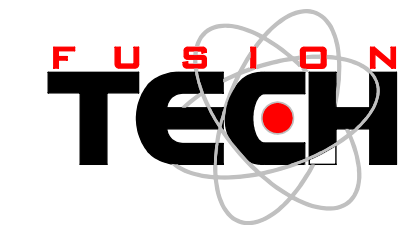
This drawing contains confidential and proprietary information of Fusion Tech Integrated, Inc. and cannot be used, duplicated or disclosed, in whole or in part, except with the expressed written permission of Fusion Tech Integrated, Inc.

TOLERANCE UNLESS OTHERWISE SPECIFIED:

X ± .06 ANGLE ± 1°
 .XX ± .03 FRACTION ± 1/32"
 .XXX ± .015 HOLE DIA. ± .01

UNLESS OTHERWISE NOTED ALL DIMENSIONS ARE IN INCHES

APPROVALS		DATE
ESTIMATOR	DAP	
DESIGNER	PJW	3/26/2018
DETAILED BY	PJW	3/29/2018



218 20th Ave.
 Roseville, IL 61473
 PHONE: (309) 774-4275
 FAX: (309) 774-4161

NET WEIGHT	1180.14 LBS		COMPANY NAME	CLOVERDALE
THICKNESS			PROJECT TITLE	SH-5 INFEEED CONVEYOR
SCALE	SHEET NO.	3 OF 5	NAME	SINGLE ROLLER CONVEYOR
N.T.S.			REVISED NO.	A-15671
			MATERIAL	---
				REV. NO.
				D 0